

## SUBCON 25/F-SH

Order No.: 2761619

The illustration shows version SUBCON 9/M-SH

<http://eshop.phoenixcontact.de/phoenix/treeViewClick.do?UID=2761619>

SUB-D connector with one cable entry, 25-pos., female version

### Commercial data

EAN	4017918107987
Pack	1 Pcs.
Customs tariff	85366990
Weight/Piece	0.083 KG
Catalog page information	Page 469 (IF-2007)

### Product notes

WEEE/RoHS-compliant since:  
08/10/2006

<http://www.download.phoenixcontact.com>  
Please note that the data given here has been taken from the online catalog. For comprehensive information and data, please refer to the user documentation. The General Terms and Conditions of Use apply to Internet downloads.

### Technical data

#### General data

Nominal voltage $U_N$	60 V AC/DC
Nominal current $I_N$	1 A
Insertion/withdrawal cycles	> 200
Max. cable diameter	10 mm
Min. cable diameter	4 mm

SUBCON fixing screws	4-40 UNC
Tightening torque	0.4 Nm
Ambient temperature (operation)	-20 °C ... 75 °C
Housing material	ABS, metal-plated
Pin assignment	All connections are 1:1 on the screw terminal block

#### Connection data

Connection	D-SUB connection
Number of positions	25
Type of connection	D-SUB female connector
Connection	PCB connection
Type of connection	Screw connection
Conductor cross section solid min.	0.14 mm <sup>2</sup>
Conductor cross section solid max.	1.5 mm <sup>2</sup>
Conductor cross section stranded min.	0.14 mm <sup>2</sup>
Conductor cross section stranded max.	1 mm <sup>2</sup>
Conductor cross section AWG/kcmil min.	26
Conductor cross section AWG/kcmil max	16
Stripping length	5 mm
Tightening torque	0.4 Nm

#### Certificates / Approvals

##### Approval logo



##### requested approbations

Certification	CUL, GOST, UL
---------------	---------------

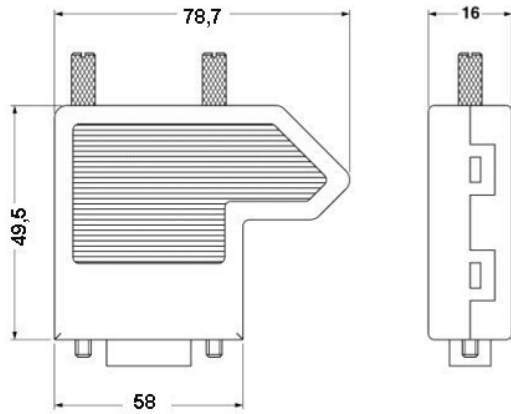
#### Accessories

Item	Designation	Description
2799694	SUBCON-SHORT-SCREW	Optional fixing screw, short (w/o knurl)

#### Assembly

## Drawings

### Dimensioned drawing



**Address**

PHOENIX CONTACT Inc., USA  
586 Fulling Mill Road  
Middletown, PA 17057, USA  
Phone (800) 888-7388  
Fax (717) 944-1625  
<http://www.phoenixcon.com>



© 2008 Phoenix Contact  
Technical modifications reserved;